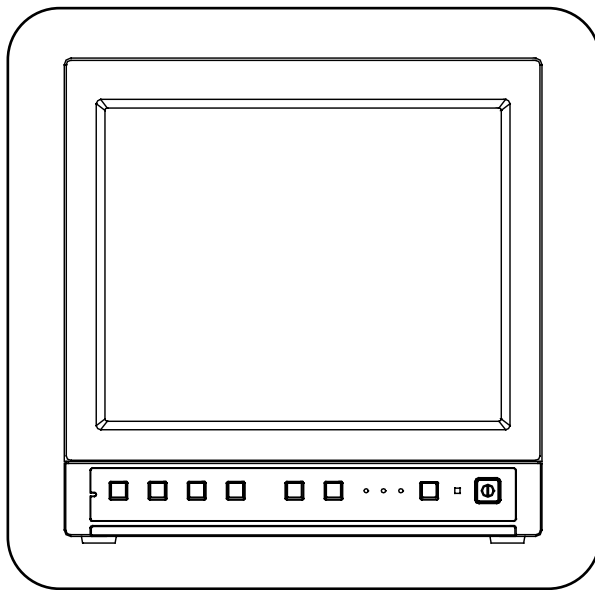


MODEL : VCM-901
9-INCH CCTV COLOR MONITOR
INSTRUCTION MANUAL

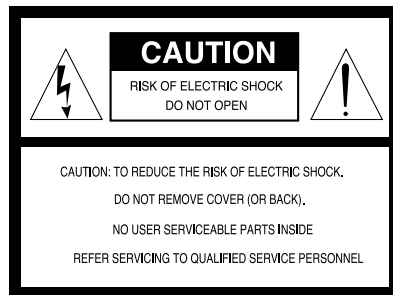


Please read this instruction manual thoroughly before operating the unit.
Please retain this manual for future reference

WARNING

TO REDUCE THE RISK OF FIRE OR ELECTRIC SHOCK, DO NOT EXPOSE THIS MONITOR TO RAIN OR MOISTURE. DO NOT INSERT ANY METALLIC OBJECT THROUGH VENTILATION GRILLS.

CAUTION



Explanation of Graphical Symbols.



This symbol is intended to alert the user to the presence of uninsulated, dangerous voltage within the product's enclosure that may be of sufficient magnitude to constitute a risk of electric shock to persons.



This symbol is intended to alert the user to the presence of important operating and maintenance (servicing) instructions in the literature accompanying the monitor.

● PRECAUTIONS

Safety

- Should any liquid or solid object fall into the cabinet, unplug the unit and have it checked by qualified personnel before operating it any further.
- Unplug the unit from the wall outlet if it is not going to be used for several days or more. To disconnect the cord, pull it out by the plug. Never pull the cord itself.
- Allow adequate air circulation to prevent internal heat buildup. Do not place the unit on surfaces (rugs, blankets, etc.) or near materials (curtains, draperies) that may block the ventilation holes.

Installation

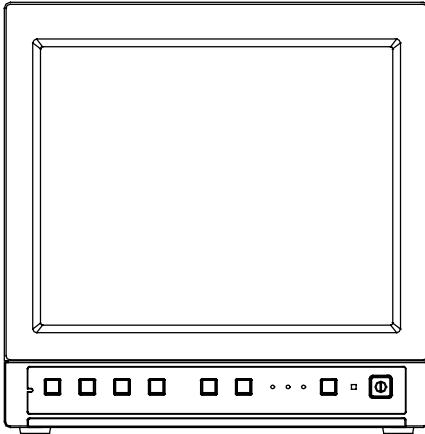
- Do not install the unit in an extremely hot or humid place or in a place subject to excessive dust or mechanical vibration.
- The unit is not designed to be waterproof. Exposure to rain or water may damage the unit.

Cleaning

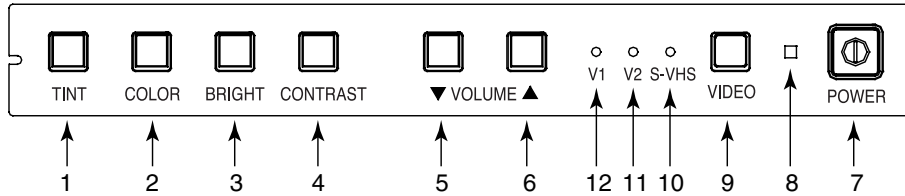
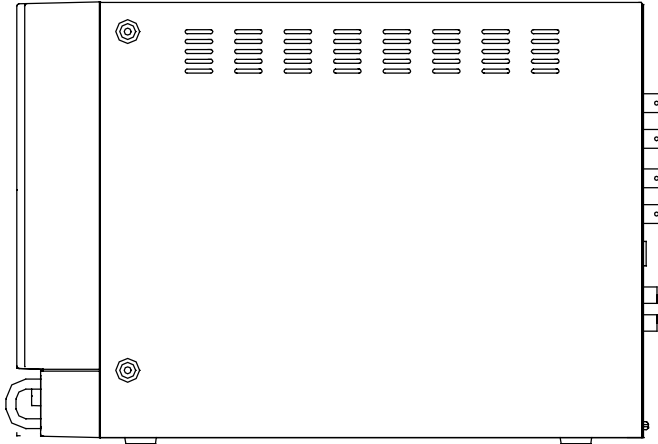
- Clean the unit with a slightly dampened soft cloth. Use a mild household detergent. Never use strong solvents such as thinner or benzene as they might damage the surface of the unit.

LOCATION CONTROLS

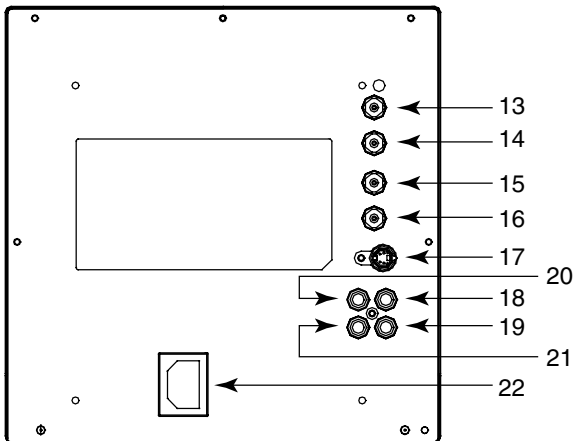
● Front View



● Side View



● Rear View



1. TINT
2. COLOR
3. BRIGHT
4. CONTRAST
5. VOLUME DOWN
6. VOLUME UP
7. POWER BUTTON
8. POWER LED LAMP
9. VIDEO
10. S-VHS LED LAMP
11. VIDEO 2 LED LAMP
12. VIDEO 1 LED LAMP
13. VIDEO 1 IN(BNC)
14. VIDEO 1 OUT(BNC)
15. VIDEO 2 IN(BNC)
16. VIDEO 2 OUT(BNC)
17. S-VHS IN(DIN)
18. AUDIO 1 IN(RCA)
19. AUDIO 1 OUT(RCA)
20. AUDIO 2 IN(RCA)
21. AUDIO 2 OUT(RCA)
22. POWER INLET

● LOCATION AND OPERATION OF CONTROLS

1. **TINT**

Adjust the TINT control for the proper color phase or flesh tones. When turned counterclockwise, the skin tone becomes reddish. When turned clockwise, skin tone becomes greenish.

2. **COLOR**

Adjust the COLOR control to set the color saturation level. Turn the control clockwise to increase and counterclockwise to decrease.

3. **BRIGHTNESS**

Adjust the BRIGHTNESS control for the desired overall display brightness. This control is also useful to compensate for differences in area lighting. Turn the control clockwise to increase and counterclockwise to decrease.

4. **CONTRAST**

Adjust the CONTRAST control for the desired overall contrast. Proper adjustment will allow maximum gradations between the darkest and lightest picture areas. Turn the control clockwise to increase and counterclockwise to decrease.

5~6. **VOLUME ▼/▲**

Adjust the VOLUME control for the desired audio level. Turn the control clockwise to increase and counterclockwise to decrease.

7. **POWER BUTTON**

Press to turn the monitor ON. The POWER LAMP above the switch will illuminate.

8. **POWER LED LAMP**

Power lamp indicates the power is on.

9. **VIDEO TACT SWITCH**

Set the switch to VIDEO 1, 2, S-VHS if the camera jack used.

10~12. **VIDEO LED LAMP**

VIDEO lamps indicate video mode in selected.

13~16. **VIDEO INPUT & OUTPUT CONNECTORS**

These BNC connectors permit looping of a video signal in those installations where it is desirable to display the video signal on more than one monitor. A standard 1.0 Vp-p video signal applied to the VIDEO INPUT will also appear at the VIDEO OUTPUT. Use coaxial cables with BNC type plugs for these connections.

17. **S-VHS JACK**

If your input is S-VHS (VIDEO), connect directly to this jack.

18~21. **AUDIO INPUT & OUTPUT CONNECTORS**

Connect an RCA cable between these jacks and the audio output jack of a camera or VCR.

22. **POWER INLET**

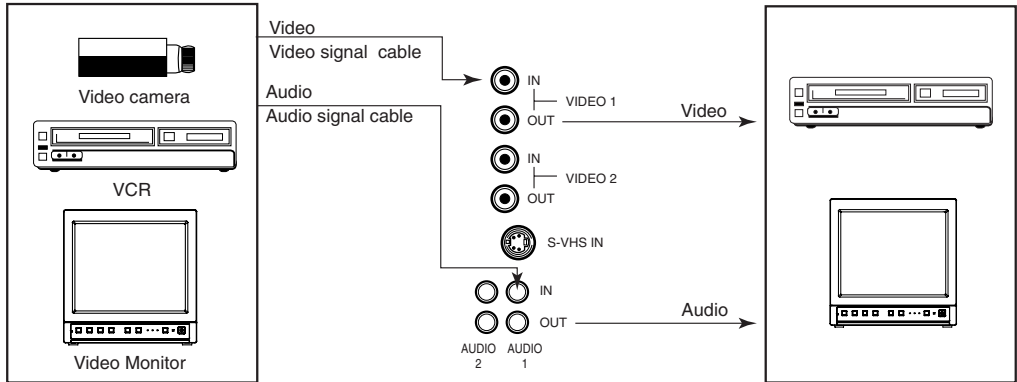
Use 100-240V AC, 50/60 Hz.

To prevent electrical shocks and fire hazards, do not use any other power source.

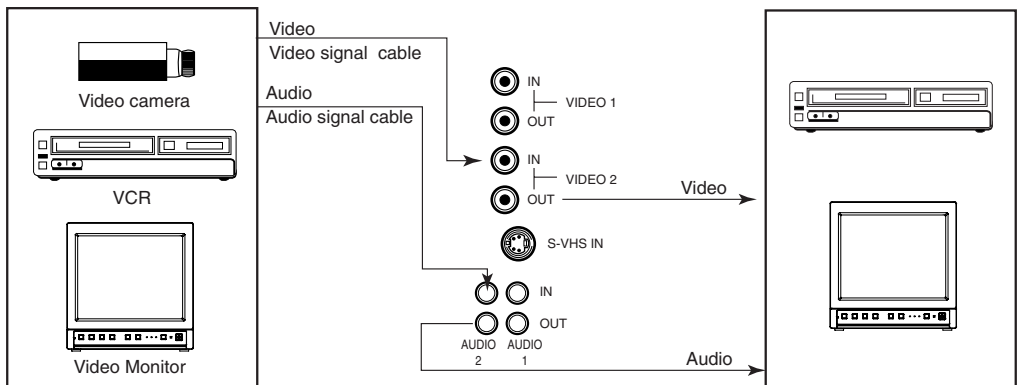
POSSIBLE CONNECTIONS

- ⊙ Read the installation/operation manual thoroughly before connecting equipment.
- ⊙ Turn off the power source before connecting the monitor and external equipment.

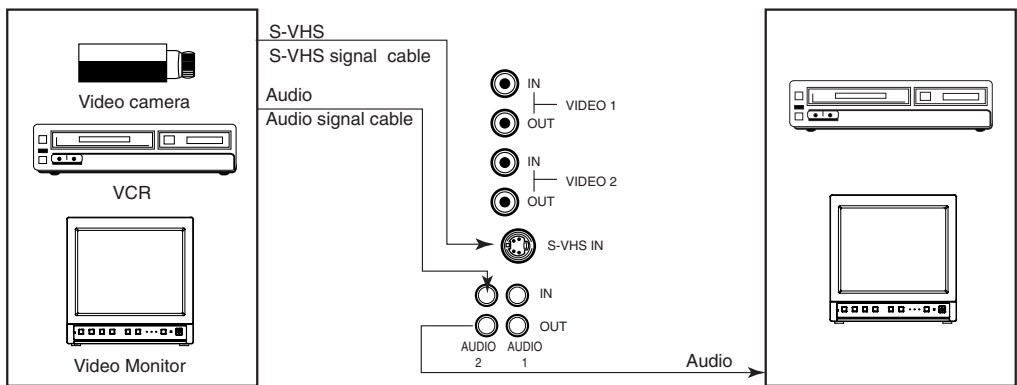
VIDEO 1 Connection (Select input VIDEO 1 button)



VIDEO 2 Connection (Select input VIDEO 2 button)



S-VHS connection (Select input S-VHS button)



● SAFETY INSTRUCTIONS

IMPORTANT SAFEGUARDS

All the safety and operating instructions should be read before the monitor is operated. Retain the instructions for future reference.

1. **HEED WARNINGS**

All warnings on the monitor and in the operating instructions should be adhered to.

2. **FOLLOW INSTRUCTIONS**

All operating instructions should be followed.

3. **CLEANING**

Unplug the monitor from the wall outlet before cleaning.

Do not use liquid or aerosol cleaners. Use a cloth slightly dampened with mild household detergent only.

4. **WATER AND MOISTURE**

Do not use this monitor near water, for example, near a bathtub, wash bowl, kitchen sink, swimming pool, laundry tub, or in a wet basement.

5. **ACCESSORIES**

Do not place this monitor on an unstable cart, stand, tripod, bracket, or table. Do not drop.

6. **VENTILATION**

Slots and openings in the cabinet are provided for ventilation.

To ensure reliable operation of this monitor and to protect it from overheating, the openings must not be blocked or covered.

This monitor should never be placed near or over a radiator or heat register or in a built-in installation, such as a bookcase or rack, unless proper ventilation is provided.

7. **POWER SOURCES**

This monitor should be operated only from the power source indicated on the product label.

8. **POWER CORD PROTECTION**

Power supply cords should be routed so that they are not likely to be walked on or pinched by items placed on or against them. Pay particular attention to cords and plugs, convenience receptacles, and the point where they exit from the unit.

9. This equipment is provided with a three-wire grounding type plug having a third (grounding) pin.

This plug will only fit into a grounding type power outlet. This is a safety feature. If you are unable to insert the plug into the outlet, contact your electrician to replace your obsolete outlet.

Do not defeat the safety purpose of the grounding type plug.

10. **OVERLOADING**

Do not overload outlets and extension cords. This can result in a risk of fire or electrical shock.

11. **OBJECT AND LIQUID ENTRY**

Never push objects of any kind into this monitor through openings, as they may touch dangerous voltage points or short-out parts that could result in a fire or electrical shock. Never spill liquid of any kind on the monitor.

12. **SERVICING**

Do not attempt to service this product yourself, as opening or removing covers may expose you to dangerous voltage or other hazards. Refer all servicing to qualified service personnel.

● SPECIFICATIONS

▶ Picture Tube	9-inch diagonal,90° deflection angle
▶ Power Source	100-240V AC, 50/60 Hz
▶ Power Consumption	45 Watts
▶ System	PAL / NTSC
▶ Sound output	1.0 W
▶ Resolution	Center resolution : 300 TV lines or more
▶ Speaker	3 W , 77 mm
▶ Terminals	Video input level/impedance: 1.0 Vpp/75 Ω Video output level/impedance: 1.0 Vpp/75 Ω S-VHS INPUT Audio input level/impedance: 0.3 Vrms/25K Ω over Audio output level/impedance: 0.3 Vrms/4.7K Ω under
▶ Dimensions(W × H × D)	8.66 in × 8.78 in × 12.48 in (220 × 223 × 317 mm)
▶ Weight	Approx. 15.4 lbs (7kg)
▶ Operating Temperature	0-40°C(32-106° F)

Design and specifications are subject to change without notice.

Warning

This is a Class B product. In a domestic environment this product may cause radio interference in which case the user may be required to take adequate measures.

Part No. : 1190